

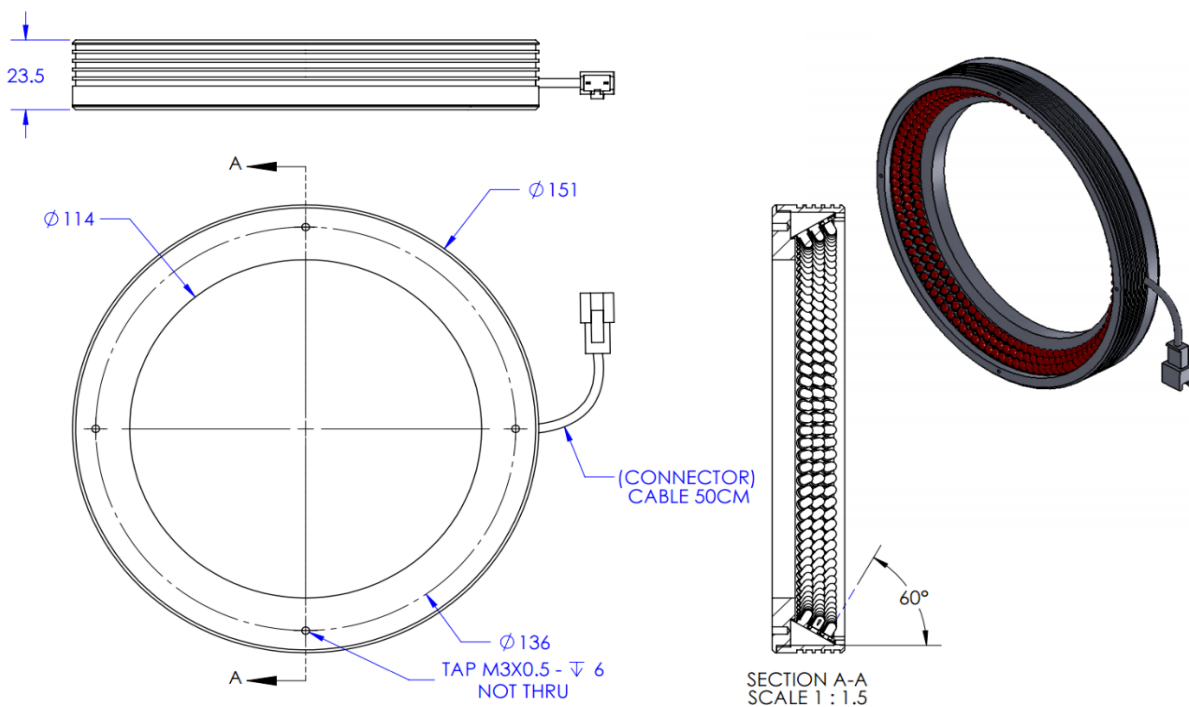


OPTO ENGINEERING

# ILLUMINATOR DATA

## LTZZ0150-60-3-B-24V

### Lighting Dimension



ROHS COMPLIANT CE

### Mechanical Information

Casing Material	Aluminium
Storage Temperature Range	0 - 45°C
Storage Humidity Range	20 - 85%
Weight	300g
Length / Outer Diameter	151mm
Width / Inner Diameter	114mm
Thickness / Height	23.5mm



OPTO ENGINEERING

# ILLUMINATOR DATA

## LTZZO150-60-3-B-24V

Lighting Information			
Part Number	LTZZO150-60-3-B-24V		
LED Color	BLUE		
Wavelength	470nm		
Working Distance	24 mm	29 mm	34 mm
Intensity ( $\pm 15\%$ )	107600lx	136200lx	156700lx
Illumination (number of row)	3		
Illumination Active Area	Active Length / Outer Dia.	140 mm	
	Active Width / Inner Dia.	114 mm	
Emission angle	0		
Eye Safety Class ( IEC62471 )	II		
Chromaticity Table For White colour only	Nil		

Electrical Information	
Rated Constant Voltage	24V $\pm 2\%$
Rated Constant Current	630mA
Power Consumption	15.12W
Casing temperature, After 60 minutes operation	TBA


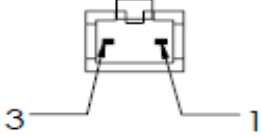
Strobe Mode Specification		
*Normal Strobe Voltage	24 V	
*Normal Strobe Current	630 mA	
Overdrive Voltage Range	Min: 36V	Max: 48V
Overdrive Current Range	Min: 2.22 A	Max: 4.09 A
Recommended Overdrive Voltage	36V	
**Max. Trigger Pulse Duration	10 msec	
**Max. Duty Cycle	10%	

\*Normal strobe means the lighting is operated using the rated power. Overdrive means the power supplied to the lighting exceeded the rated power.

\*\*Overdrive condition must not exceed the max. trigger pulse duration and max. duty cycle.

# ILLUMINATOR DATA

## LTZZ0150-60-3-B-24V

Connection Information			
Connector Type (Default)	JST SMR-03V		
Cable Length	50 cm		
Pin Configuration  	Pin	Signal	Cable Colour
	1	LED +	Red
	2	N.C	-
	3	LED -	White
			

Additional Information	
Additional Cooling Method	Attached to machine part for better heat dissipation
Intensity Controller Selection	SD, ST, ANG, LC, SDA, SDP series
CE Conformity	YES
RoHS Compliance	YES

Application	
Illumination Type	Direct Illumination
Application Use	Edge Detection, Scratched On Metal or Glossy Surface



OPTO ENGINEERING

# ILLUMINATOR DATA

## LTZZ0150-60-3-B-24V

Lighting Pattern				
Working Distance	29mm			
Display and Image				
Data Results	Horizontal	Meas.(mm)	Vertical	Meas.(mm)
	90%	27	90%	29
	80%	41	80%	42
	70%	55	70%	58
	60%	65	60%	68
	50%	73	50%	76
	40%	81	40%	86
	30%	89	30%	96
	20%	103	20%	118
	10%	131	10%	160
Max	Meas.(cd/m2)			
	13261.91			